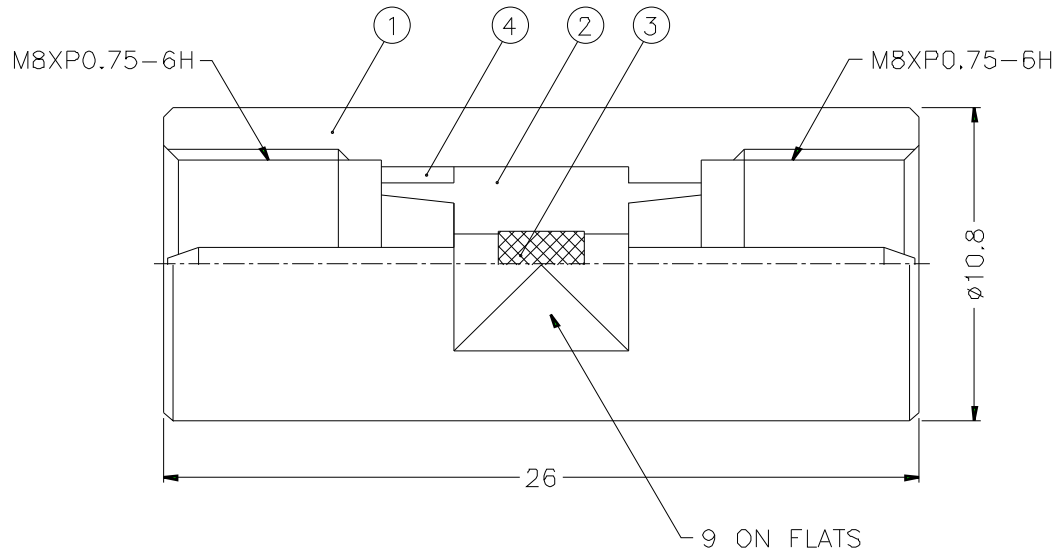


1	2		3	4	5	6	7	8
REVISIONS								
ISS	ZONE	DESCRIPTION\PER REQUEST\DATE						



NOTES: FINISH (PLATING THICKNESS IN MICRO-INCHES)
 1. BRASS PER QQ-B-626
 2. NICKEL PL. 100 MIN. THICK OVER COPPER STRIKE
 3. GOLD PL. 3 MIN. THICK OVER NICKEL PL. 100 MIN. THICK OVER COPPER STRIKE
 4. TEFLON MIL-P-19468

DIMENSIONS ARE IN MILLIMETERS				PART NO. FME2071A2-NT3G-50	
UNLESS OTHERWISE SPECIFIED TOLERANCES 0.5-6 = ±0.2 6-30 = ±0.4 30-120 = ±0.6 120-315 = ±1 315-1000 = ±1.6 1000-2000 = ±2.4				APPROVED	DATE 10-11-01'
				CHECKED	DATE 10-11-01'
				DRAWN	DATE 10-11-01'
				SCALE 4/1	ISSUE A

Amphenol	
TITLE FME MALE-MALE ADAPTOR	
DRAWING NO.	
ITEM NO.	

4	LOCK RING	NOTE 1	NOTE 2	1	FME1121A3-3-B
3	CONTACT PIN	NOTE 1	NOTE 3	1	FME2071A2-3
2	INSULATOR	NOTE 4	NATURAL	1	FME2071A2-2T-50
1	BODY	NOTE 1	NOTE 2	1	FME2071A2-1
NO.	DESCRIPTION	MATERIAL	FINISH	Q'TY	DRAWING NO.

1	2	3	4	5	6	7	8
---	---	---	---	---	---	---	---