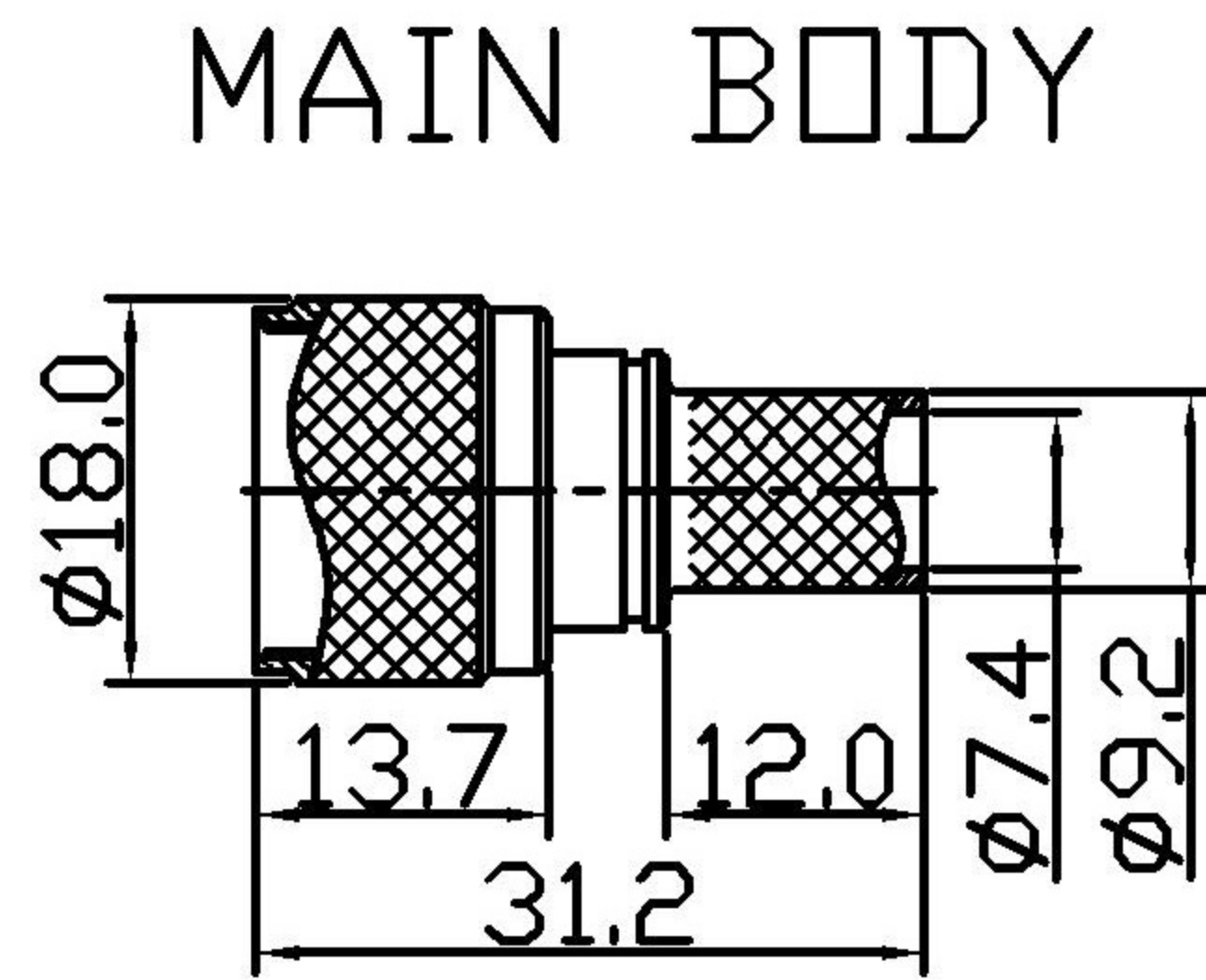
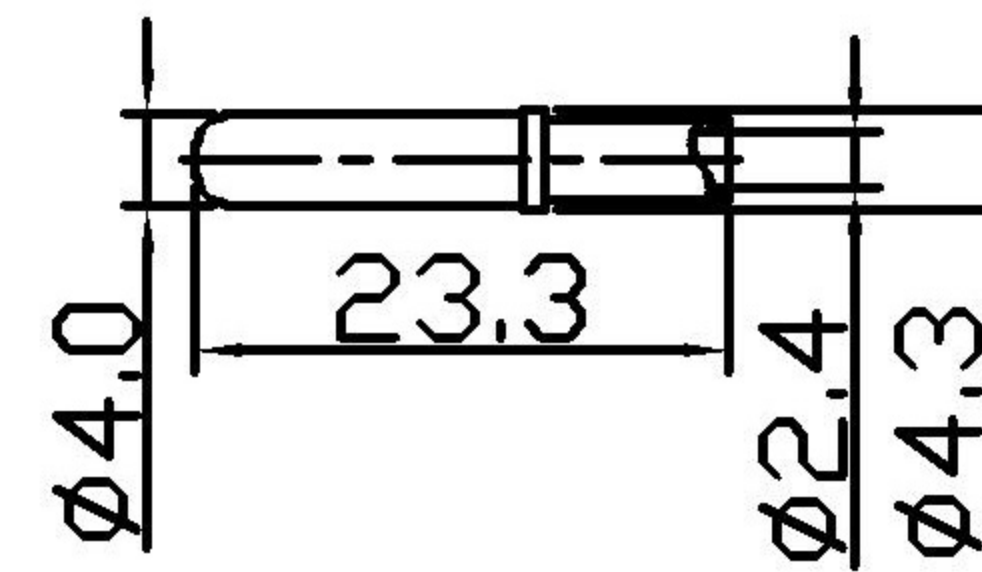


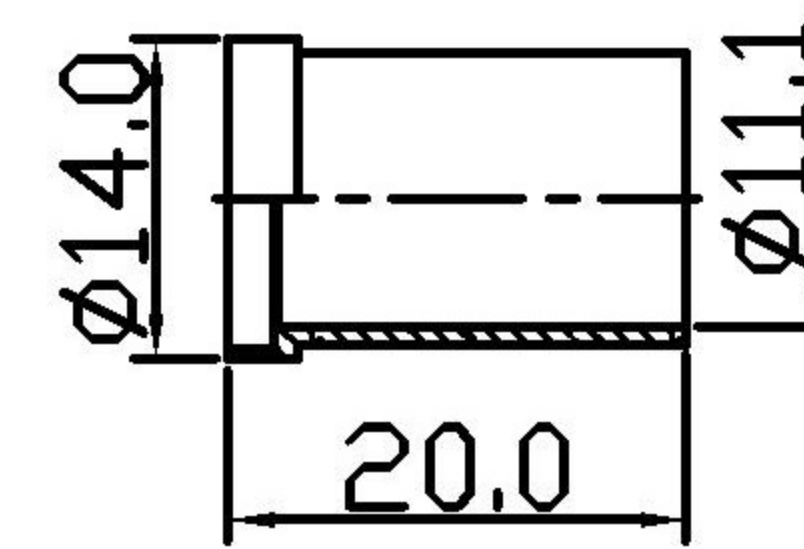
STEP 1.



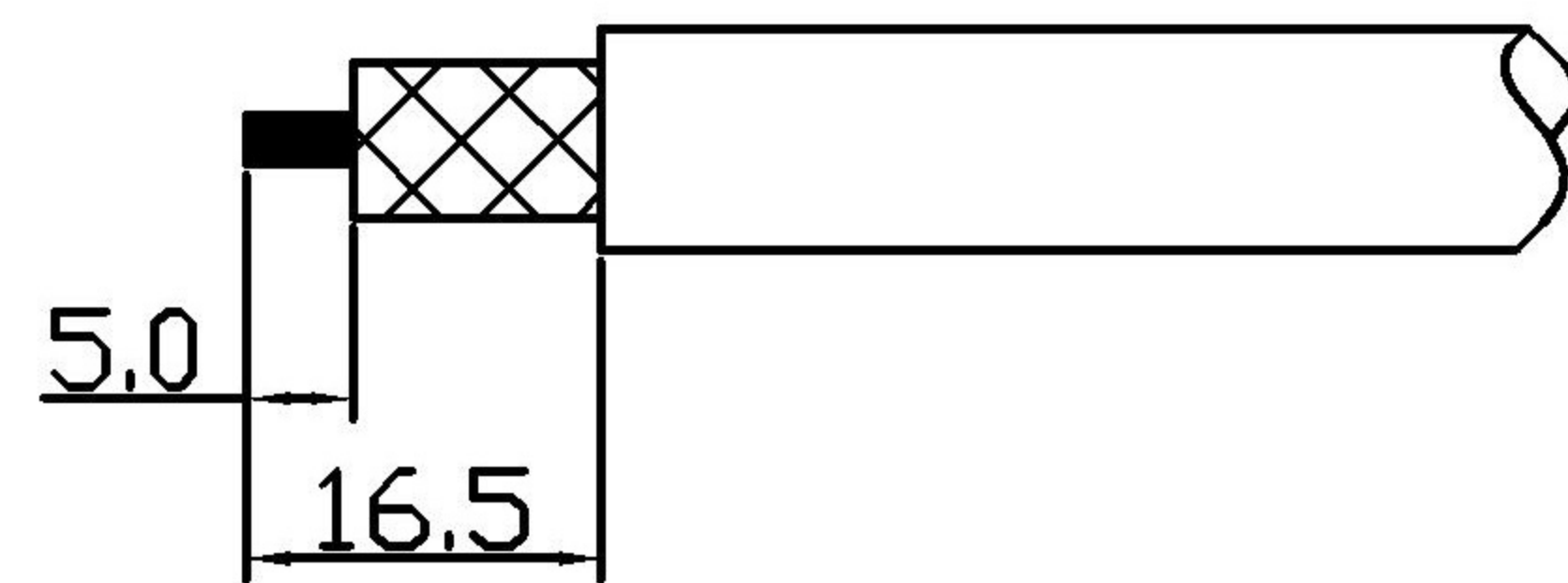
CONTACT PIN



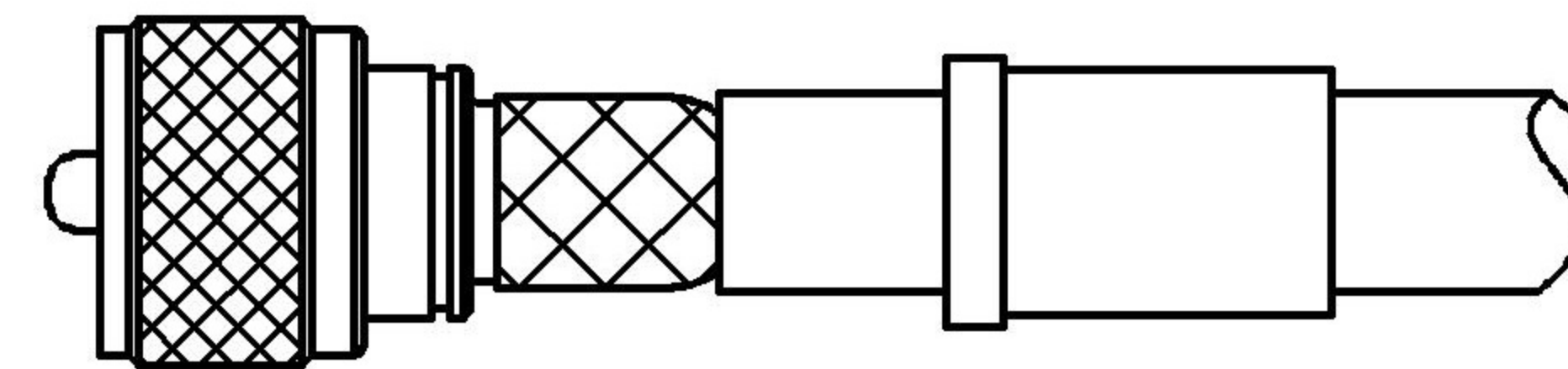
FERRULE



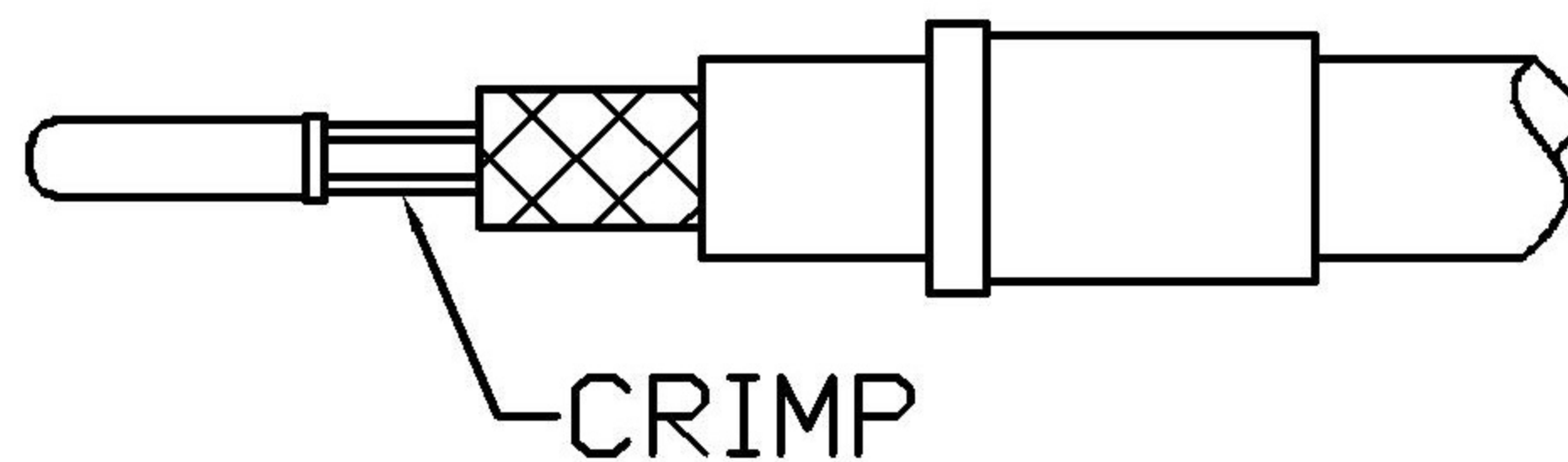
STEP 2.



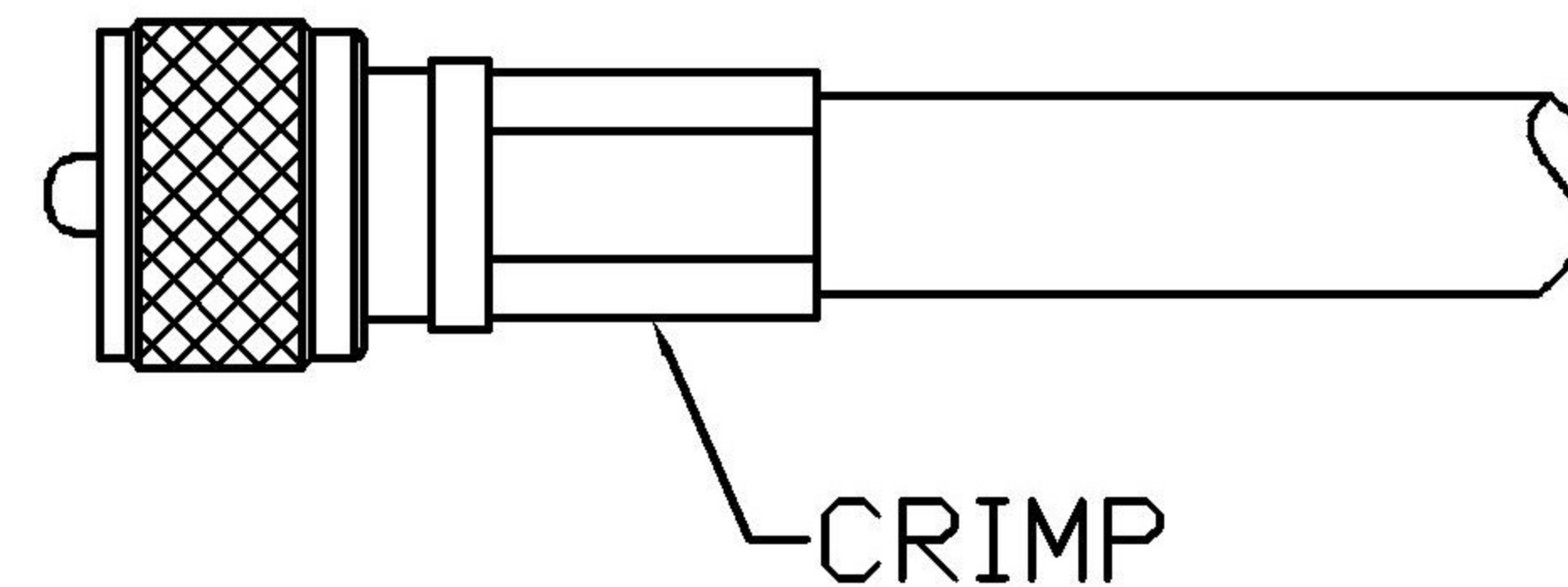
STEP 4.



STEP 3.



STEP 5.



Material:		Treatment:					
Drawer	Design	Aprov	Tolerance	Unit: mm		TITLE	UHF M 213U Cable Assembly Instructions-Crimp/Crimp
			X=±0.5 X=±0.2 XX=±0.1 XXX=±0.05	Ver: A	Scale 1:1	Model NO	
Part NO				File NO: QR0402	Drawing NO		605-007-003-103

NO	DESCRIPTION	MATERIAL / FINISH	Q'TY
Part NO			