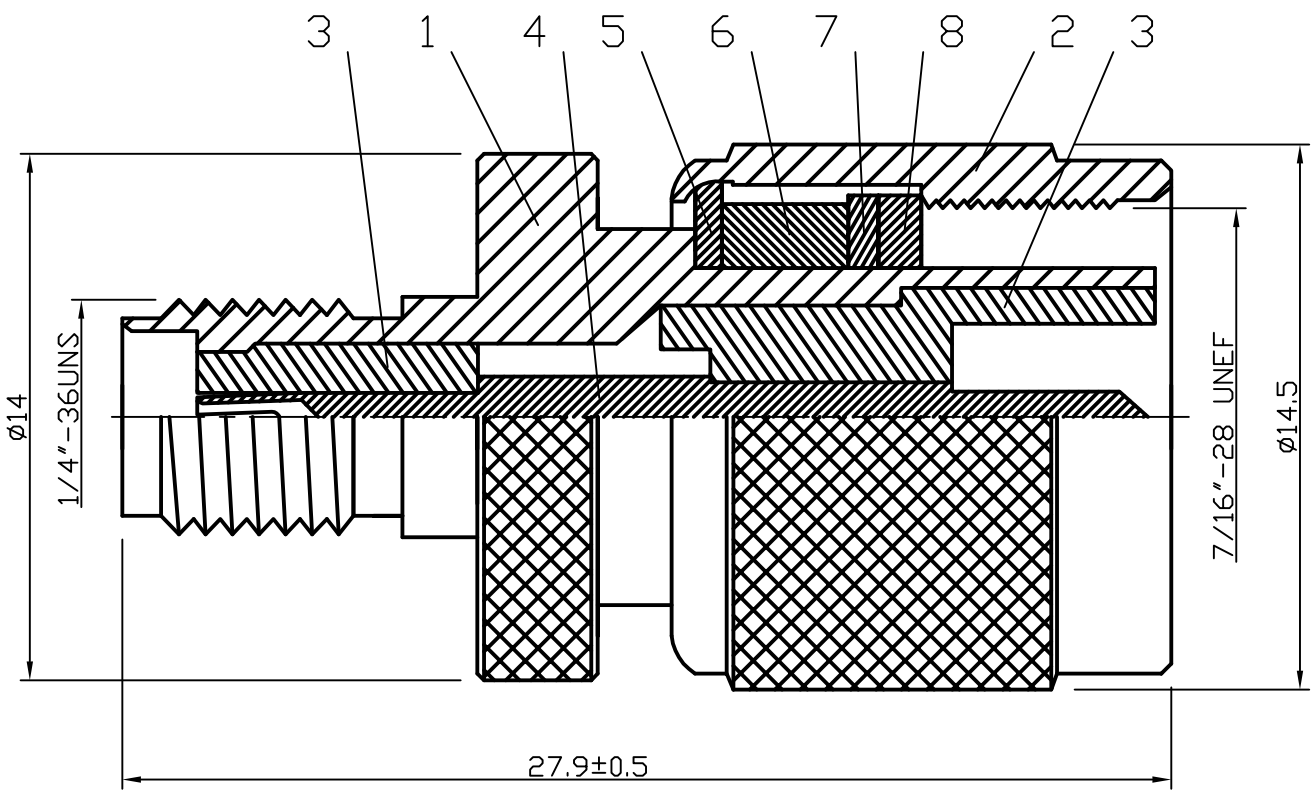


8 7 6 5 4 3 2 1

ROHS COMPLIANCE

DATE	DESCRIPTION	REV
10.12.13	NEW RELEASE	A



11					
10					
9					
8	GASKET	1	PVC	RED	
7	WASHER	1	STEEL	NICKEL	
6	WASHER	1	BRASS	NICKEL	
5	WASHER	1	STEEL	NICKEL	
4	PIN	1	BRASS	GOLD	
3	INSULATOR	2	TEFLON	WHITE	
2	SHELL	1	BRASS	NICKEL	
1	BODY	1	BRASS	NICKEL	
NO	Description	Q'ty	Material	Finish	Part Number

UNLESS OTHERWISE SPECIFIED
 1. REMOVE ALL BURRS.
 2. BREAK ALL CONNERS & EDGES CO. 15 MAX.
 3. CHAMFER 1ST & LAST THREADS 45°.
 4. DIAMETERS ON COMMON CENTERS.
 TO BE CONCENTRIC WITHIN 0.01 T.I.R.
 5. ALL DIMENSIONS ARE AFTER PLATING.

MAJOR DIMENSIONS
 UNLESS OTHERWISE NOTED TOLERANCES
 0.5-6=±0.2
 6-30=±0.4
 30-120=±0.6
 ANGLES=±5°

APPROVED BY
 CHECKED BY
 DRAWING BY
ART&M
 DATE 2010/12/13

DRAWING NO
423-058
 TITLE
SMA FEMALE TO TNC MALE
 REV. A

8 7 6 5 4 3 2 1

DO NOT SCALE DRAWING