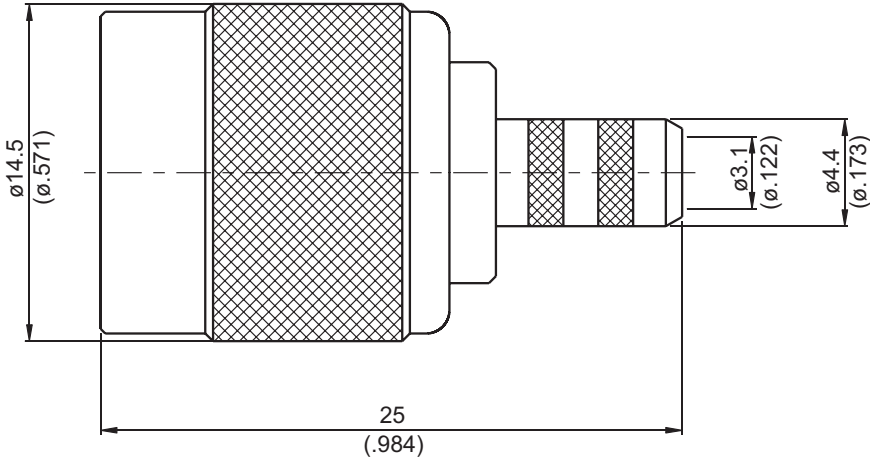


TNC3100-0058	TNC Plug Crimp	50Ω																											
																													
<table border="1"> <thead> <tr> <th>Parts</th> <th>Material</th> <th>Plating (Micro-inch)</th> </tr> </thead> <tbody> <tr> <td>Ferrule</td> <td>Brass</td> <td>Tin-Zinc-Copper-Alloy 100 Over Copper 50</td> </tr> <tr> <td>Contact Pin</td> <td>Brass</td> <td>Gold 3 Over Nickel 50 Over Copper 50</td> </tr> <tr> <td>Gasket</td> <td>Silicon</td> <td></td> </tr> <tr> <td>Ring</td> <td>Delrin</td> <td></td> </tr> <tr> <td>Washer</td> <td>Brass</td> <td>Tin-Zinc-Copper-Alloy 100 Over Copper 50</td> </tr> <tr> <td>Insulator</td> <td>Teflon</td> <td></td> </tr> <tr> <td>Body</td> <td>Brass</td> <td>Tin-Zinc-Copper-Alloy 100 Over Copper 50</td> </tr> <tr> <td>Coupling Nut</td> <td>Brass</td> <td>Tin-Zinc-Copper-Alloy 100 Over Copper 50</td> </tr> </tbody> </table>	Parts	Material	Plating (Micro-inch)	Ferrule	Brass	Tin-Zinc-Copper-Alloy 100 Over Copper 50	Contact Pin	Brass	Gold 3 Over Nickel 50 Over Copper 50	Gasket	Silicon		Ring	Delrin		Washer	Brass	Tin-Zinc-Copper-Alloy 100 Over Copper 50	Insulator	Teflon		Body	Brass	Tin-Zinc-Copper-Alloy 100 Over Copper 50	Coupling Nut	Brass	Tin-Zinc-Copper-Alloy 100 Over Copper 50		
Parts	Material	Plating (Micro-inch)																											
Ferrule	Brass	Tin-Zinc-Copper-Alloy 100 Over Copper 50																											
Contact Pin	Brass	Gold 3 Over Nickel 50 Over Copper 50																											
Gasket	Silicon																												
Ring	Delrin																												
Washer	Brass	Tin-Zinc-Copper-Alloy 100 Over Copper 50																											
Insulator	Teflon																												
Body	Brass	Tin-Zinc-Copper-Alloy 100 Over Copper 50																											
Coupling Nut	Brass	Tin-Zinc-Copper-Alloy 100 Over Copper 50																											
<p>Weight: 12.80 g Suitable Cables: RG58, JBY195</p>																													

This part number complies with RoHS.

Notice: JYEBAO reserves the right to make modifications deemed appropriate.

CABLE ASSEMBLY INSTRUCTION

TNC3100-0058

JYE BAO CO., LTD.

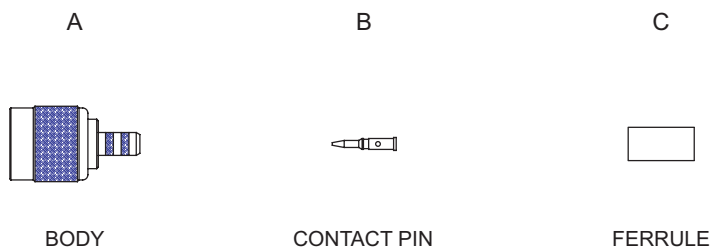
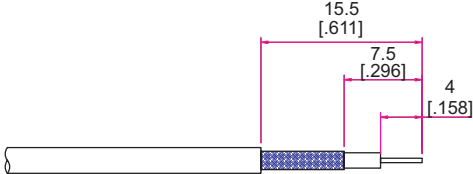
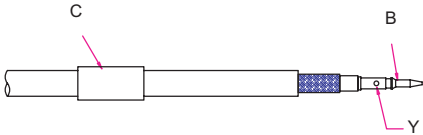
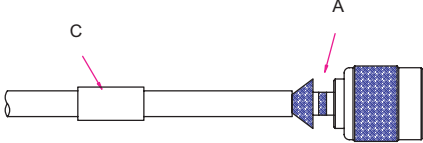
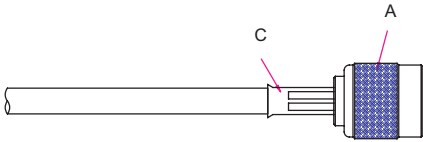


DIAGRAM	ASSEMBLY INSTRUCTION
	<p>Step 1: STRIP AS SHOWN .</p>
	<p>Step 2: SLIDE FERRULE " C " OVER CABLE. Step 3: PUT PIN " B " ON CENTER CONDUCTOR AND SOLDER IN " Y " .</p>
	<p>Step 4: LOOSEN BRAIDING AND SLIDE CONNECTOR " A " IN PLACE.</p>
	<p>Step 5: SLIDE FERRULE " C " TOWARDS THE CONNECTOR " A " AND CRIMP.</p>

This part number complies with RoHS.

Notice: JYEBAO reserves the right to make modifications deemed appropriate.