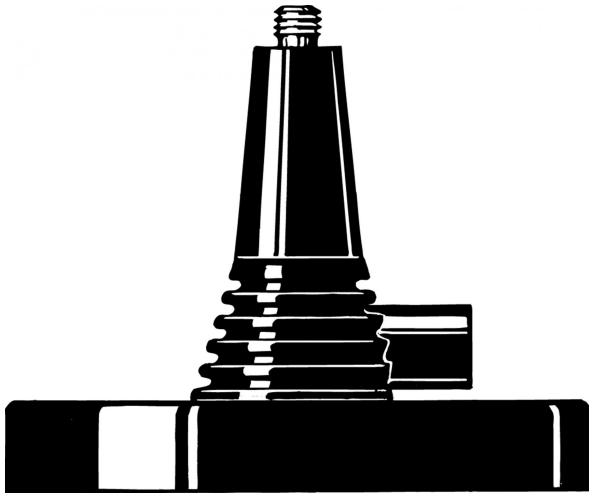


MiniMag - "MM"

Miniature Magnetic Mount for Mobile Antenna Whips

DESCRIPTION

- Small, low-profile magnetic mount intended to carry short mobile antenna whips (height below 60 cm).
- Full compatibility with the X-mount, i.e. all X-type whips can be used on the "MM".
- Provided with FME connecting system (FME-cable must be ordered separately).
- Silicone layer on contact surface protects the car roof and ensures maximum friction.

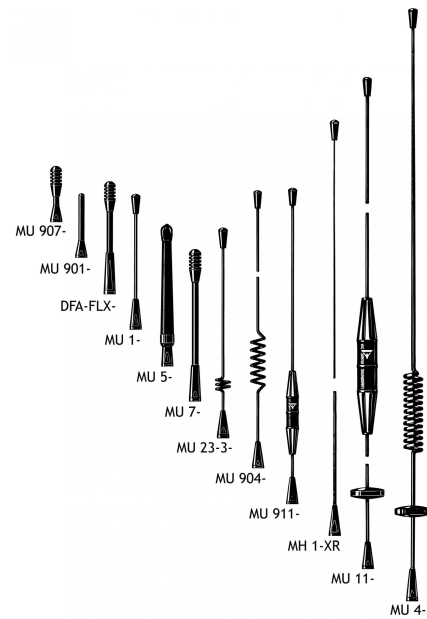


ORDERING DESIGNATION

TYPE NO.	PRODUCT NO.
MiniMag - "MM"	130000351

ORDERING	
Generally	Order this magnetic base by simply asking for MM. (FME-cable and FME-connector are ordered separately).
Complete antennas can be ordered	–by ordering X-type whips and MM separately, or –by coding MM into the antenna designation. (In this case please consult the X-mount leaflet for the particular whip type in question to check if the combination is available).

A SELECTION OF THE VARIOUS WHIPS WHICH CAN BE CONNECTED TO THE MiniMag-"MM" (all shorter than 60 cm)



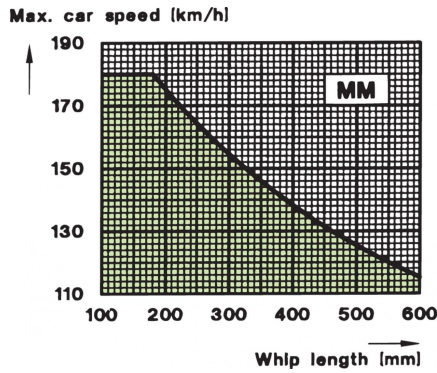
SPECIFICATIONS

MODEL	MINIMAG - "MM"
APPLICATION	Magnetic mount for all X-type mobile antenna whips shorter than 60 cm
FREQUENCY	135 - 1000 MHz
MATERIALS	Black chromed brass Environment-proof plastics Electrostatic powder laquer
CONNECTION TO WHIP	M6 thread stud
CONNECTOR	FME-system
COLOUR	Black
WEIGHT	Approx. 270 g
DIMENSIONS	Total height: Approx. 59 mm. Diameter: 72 mm.
MOUNTING	Centre of vehicle roof for best omnidirectional coverage
MAX. CAR SPEED	Depending on whip height. See curve below

FME-SYSTEM ACCESSORIES

FME-CABLES		FME-CONNECTORS	
TYPE	PRODUCT NO.	TYPE	PRODUCT NO.
1 m FME	130000437	FME-FME	130000583
2 m FME	130000447	FME-P (Prolongation)	130000565
3 m FME	130000457	FME-N	130000571
4 m FME	130000466	FME-FSMA (Female-SMA)	130000578
5 m FME	130000474	FME-BNC	130000566
6 m FME	130000483	FME-TNC	130000569
4 m FME-white	110000064	FME-UHF	130000572
6 m FME-white	110000066	FME-MUHF (Mini-UHF)	130000573
12 m FME-white	110000068	FME-EMUHF (Elbow-MUHF)	130000582
18 m FME-white	110000069	FME-EBNC (Elbow-BNC)	130000580
		FME-ETNC (Elbow-TNC)	130000581
		FME-SMA	130000577

For further information about other types of FME-cables and FME-connectors, please compare the cable and connector data sheets under accessories in our catalogue.



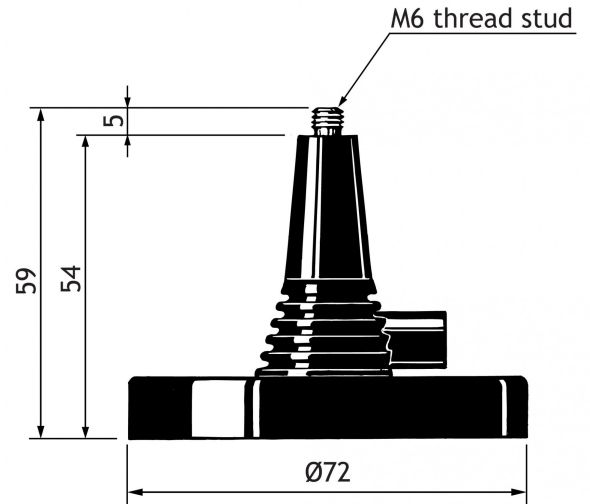
USING THE MiniMag – “MM”

This magnetic mount is used to make an occasional antenna installation where it is not desirable to drill holes in the vehicle. A magnetic mount can advantageously serve several vehicles by shifting it from one vehicle to another. The MiniMag is provided with a thoroughly magnetized permanent ring magnet positioned in a carefully shaped magnetic circuit which yields an extraordinarily high attaching effect and makes this mount stand for very high values of bending moment and mechanical shock. A silicone layer applied to the whole contact surface protects the car roof and ensures maximum friction.

INSTALLATION

The magnetic mount should be mounted in the middle of the vehicle roof or rear locker to produce best omnidirectional coverage.

TUNING	
Below 400 MHz	Use the cutting diagram for the corresponding X-mount model using the same type of whip as a guide while using an SWR-meter to tune the whip.
Above 400 MHz	Whips tuned by cutting: Use an SWR-meter. Whips tuned with disc: Adjustment diagram accompanies the antenna.



PLEASE NOTE

For safety reasons:
Do not operate the MiniMag with antenna whips longer than 60 cm. Please respect the maximum car speed limit corresponding to a particular whip length as appears from the curve on page 1 of this leaflet.



PROCOM A/S reserve the right to amend specifications without prior notice.

23/05/14