



MOTOROLA

GMKN1022



Active Data Cable

Accessories

GENERAL INFORMATION

The GMKN1022 Active Data Cable provides a 5-wire RS232 interface (e.g. RxD, TxD, CTS, RTS, DTR) between a computer and a mobile radio.

OPERATION

The cable has to be connected to the 20-pin Accessory Connector on the rear side of the radio and into the 9-pin connector of a Data Device (e.g. PC, Laptop, console etc.).



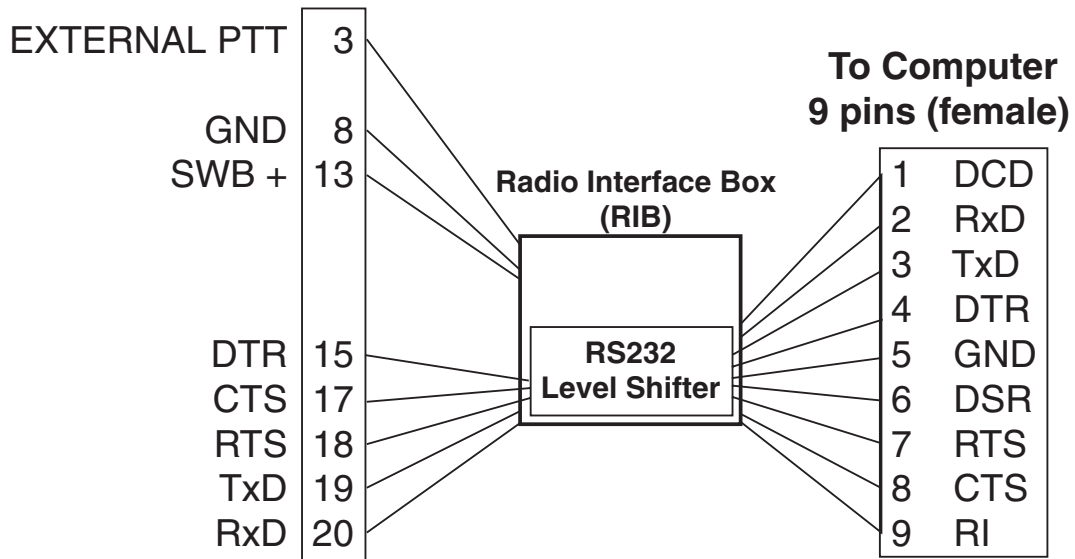
Caution

The Active Data Cable shall never be connected to a radio equipped with a GMCE4053 Expansion Head.

Do not disconnect the cable in the middle of a procedure. This may leave the radio incorrectly configured and could degrade the radio's performance.

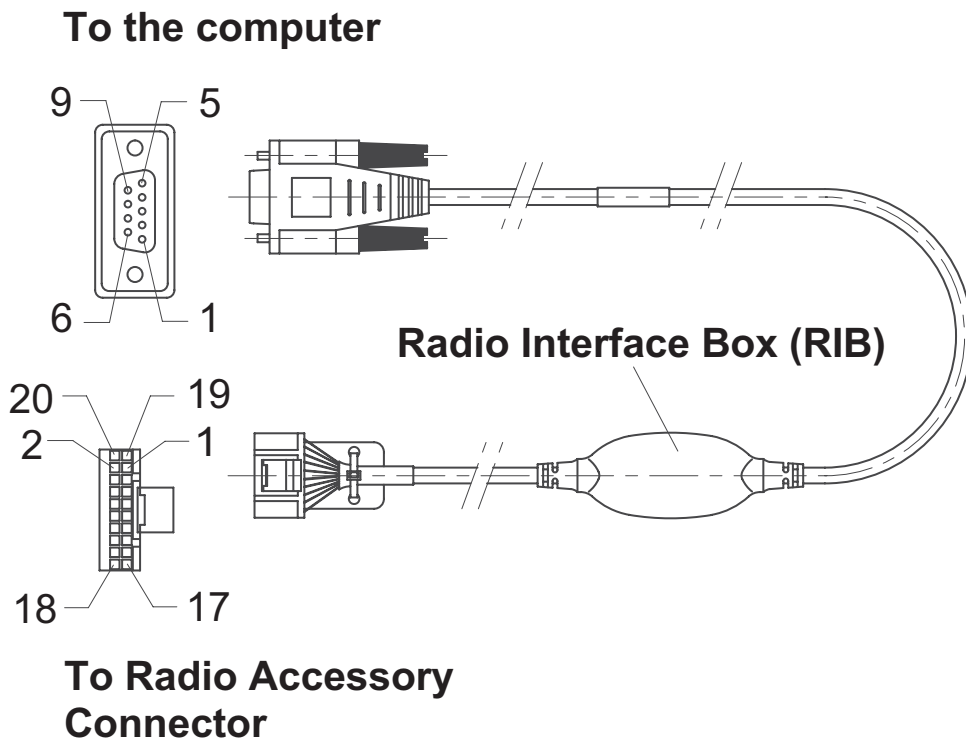
CABLE CONNECTIVITY

To Radio Accessory Connector
20 pins



Note: If the Active Data Cable shall be used in conjunction with any other accessory using PTT functionality (EXTERNAL_PTT), the black colored cable at the accessory connector of the Active Data Cable must be removed and cut.

CONNECTOR DETAIL

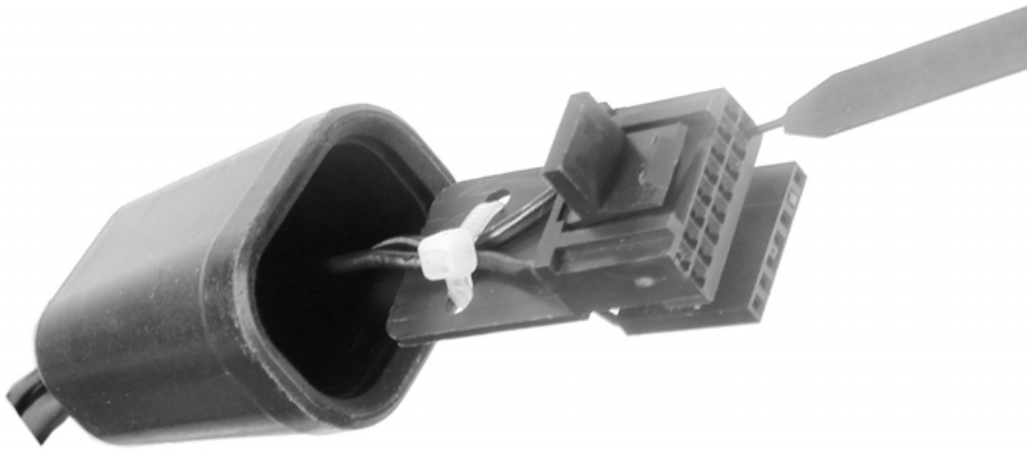


DEMOUNTING OF THE CONTACTS

It might be necessary to change the pin position in the connector housing. The following section describes how to remove the contacts from the connector housing.

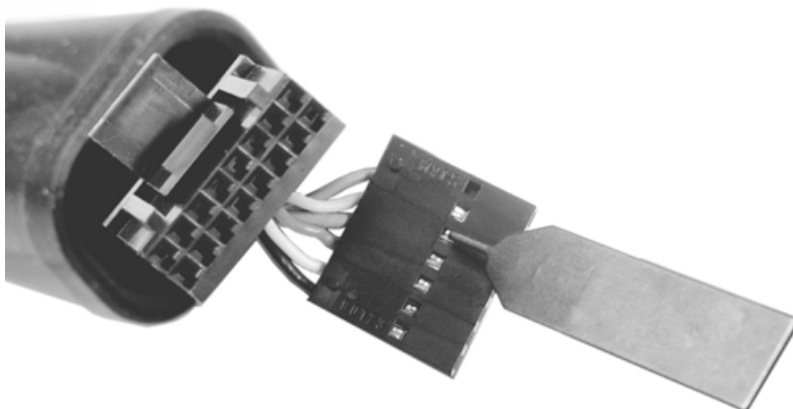
REMOVE CONTACTS FROM ACCESSORY CONNECTOR

To remove the contacts from the connector push the tool into the front side slot as shown in the diagram and pull out the contact.



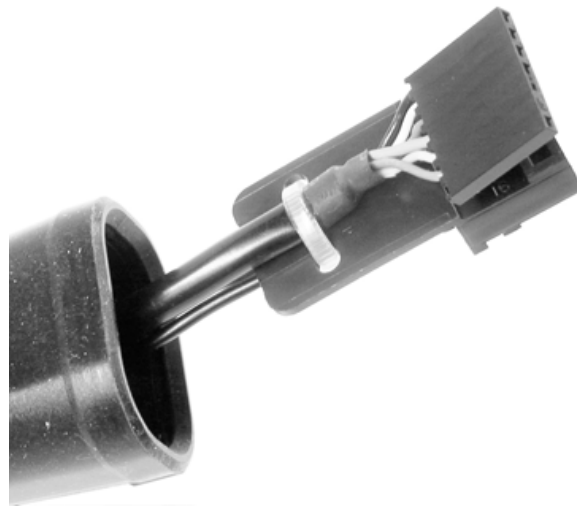
REMOVE CONTACTS FROM RS232 CONNECTOR

Push with the tool into the slot and pull out the contact.

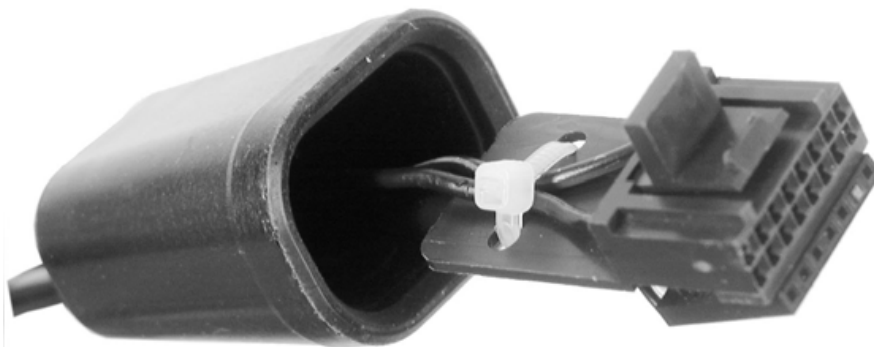


ASSEMBLING RS232 INTERFACE CABLE, ACCESSORY CONNECTOR KIT AND SPEAKER CABLE

The following pictures show the RS232 Interface Cable GMKN1016 assembled with the speaker and the Accessory Connector Kit GMBN1021 with accessory connector. The front of both connector housings should be flush with each other.



All cables should be fixed with a strap (see figure).



SERVICE

The GMKN1022 Active Data Cable is not repairable. Order a replacement cable as necessary.

© 2002 by Motorola, Inc.

Motorola and the Stylized M Logo are registered
in the U.S. Patent and Trademark Office.

5/02. All Rights Reserved

6866537D35

