

CXL 70-1LW/...

Unity-Gain, Omnidirectional Base Station and Marine Antenna for the 450 MHz Band

DESCRIPTION

- CXL 70-1LW/... is a 0 dBd, vertically polarized, omnidirectional base station and marine antenna which covers the 450 MHz band in three models.
- The carefully designed, broadbanded $\frac{1}{2} \lambda$ -dipole radiating element is made of brass tube and sealed in a high-quality conical glass fibre tube with low wind-load.
- Provided with the sturdy "LW" mast mount – a lightweight, multipurpose, epoxy-coated mounting bracket made of non-corrosive aluminium.
- The accompanying U-bolts and fittings are made of stainless steel.
- To be mounted on vertical or horizontal mast tubes, 16 to 54 mm in outer diameter.
- The cable can be led either on the outside or along the inside of the mast tube.
- Large bandwidth with respect to both SWR and gain.
- To substantially reduce noise caused by atmospherical discharges, all metal parts in the antenna are DC-grounded. Consequently, the antenna shows a DC-short across the coaxial cable.
- The CXL 70-1LW/... is a vibration-proof, lightweight, slim-line, corrosion resistant, modern style base station and marine antenna.



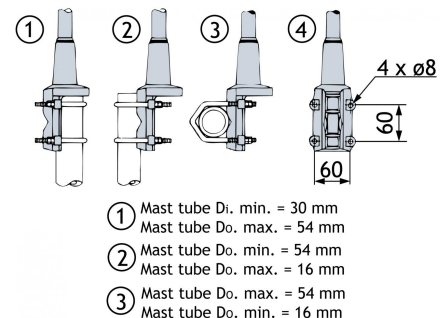
ORDERING DESIGNATIONS

| TYPE | PRODUCT NO. | FREQUENCY |
|---------------|-------------|---------------|
| CXL 70-1LW/l | 110000087 | 380 - 430 MHz |
| CXL 70-1LW/h | 110000083 | 420 - 470 MHz |
| CXL 70-1LW/hs | 110000085 | 460 - 510 MHz |

SPECIFICATIONS

| ELECTRICAL | |
|-----------------------|---|
| MODEL | CXL 70-1LW/... |
| ANTENNA TYPE | $\frac{1}{2} \lambda$ coaxial dipole, broad-banded |
| FREQUENCY | CXL 70-1LW/l : 380 - 430 MHz CXL 70-1LW/h : 420 - 470 MHz CXL 70-1LW/hs : 460 - 510 MHz |
| IMPEDANCE | Nom. 50 Ω |
| RADIATION | Omnidirectional |
| POLARIZATION | Vertical |
| GAIN | 2 dBi 0 dBd |
| BANDWIDTH | 50 - 60 MHz dep. of model |
| SWR | ≤ 1.5 |
| MAX. POWER | 200 W |
| ANTISTATIC PROTECTION | All metal parts DC-grounded (Connector shows a DC-short) |
| MECHANICAL | |
| TEMP. RANGE | -35°C \rightarrow +70°C |
| CONNECTOR | N-female |
| WIND SURFACE | 0.0192 m ² |
| WIND LOAD | 24 N @ 160 km/h |
| COLOUR | Marine white |
| MATERIALS | Shroud: Polyurethane-coated glass fibre Mounting bracket: Seawater resistant aluminium, epoxy-coated Clamps: Stainless steel |
| TOTAL HEIGHT | Approx. 680 mm |
| DIA. IN TOP END | 12 mm |
| DIA. IN BOTTOM END | 16 mm |
| WEIGHT | Approx. 650 g |
| MOUNTING | On 16 to 54 mm dia. mast tub |

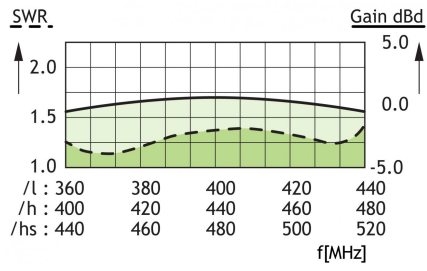
MULTI-PURPOSE MOUNTING BRACKET



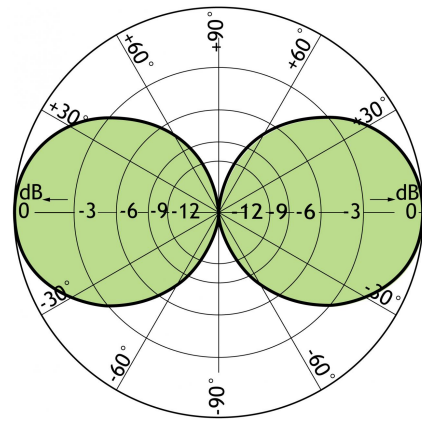
PLEASE NOTE

The antenna is delivered with a DC-connection between the antenna element and the mounting bracket.

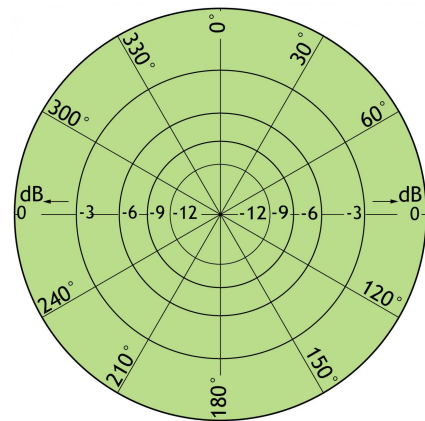
TYPICAL GAIN AND SWR CURVES



TYPICAL RADIATION PATTERN (E-PLANE)



TYPICAL RADIATION PATTERN (H-PLANE)



PROCOM A/S reserve the right to amend specifications without prior notice.

14/12/12