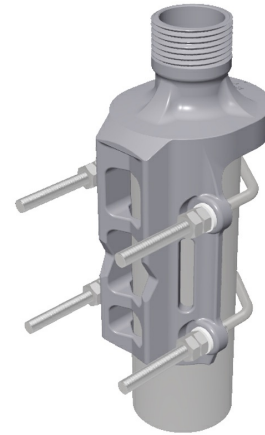


LW-SS-1"

Universal Stainless Steel Mast Mounting Clamp for Antennas Based on Mounting on 1" Threaded Tube

- Using the LW-SS-1" universal mast mounting clamp all antennas specifically designed for mounting on 1" water pipe can be mounted on any kind of horizontal or vertical supporting mast tube, as long as the outer diameter of the tube is within 16 to 54 mm.
- The mounting bracket is made of stainless steel which makes it ideal for marine environments.



DESCRIPTION

- Inside the marine sector the 1" water pipe mounting system for antennas has gained worldwide acceptance. The antennas are equipped with a revolving nut, which fits 1" RG (G1" - 11) threaded water pipe.
- The construction of the clamp makes it possible to run the downlead cable either along the inside or on the outside of the mast tube.
- Available as ATEX version, when equipotential bonding is not obtained through the mounting bracket and the need for a grounding kit is present.
- Using the GP adaptor (to be ordered separately) the LW-SS-1" can be used for GP antennas with GP heads.
- The LW-SS-1" mounting clamp is a member of a complete family of different mounting clamps for 1"-pipe-mount antennas. Below the complete programme is shown. Using the LW-SS-1" or one of these accessory items, a vast majority of all installations can be undertaken.

SPECIFICATIONS

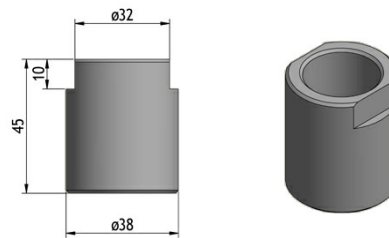
MECHANICAL	
MODEL	LW-SS-1"
APPLICATION	Universal clamp for mounting antennas for 1" water pipe fixation on other kinds of vertical or horizontal mast tubes
MATERIALS	Mounting bracket: Stainless acid-proof steel (AISI 316L) U-bolts and fittings: Stainless steel (AISI 304)
DIMENSIONS	See drawing
WEIGHT	Approx. 0.52 kg
MOUNTING	On 16–54 mm dia. mast tube, see drawing

ORDERING DESIGNATIONS

TYPE NO.	PRODUCT NO.
LW-SS-1"	110000394
LW-SS-1"-EX *	115000102
ACCESSORIES	
GP Adaptor	100000679

* ATEX Grounding kit included.

GP ADAPTOR



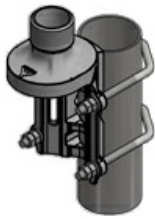
The GP Adaptor needs to be ordered separately.

INSTALLATION DETAILS

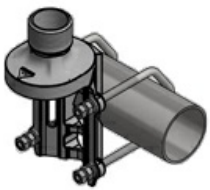
Mast tube
ø42 - ø54 mm



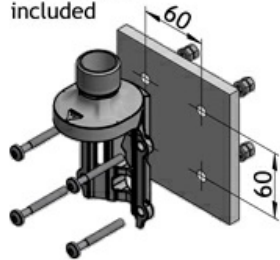
Mast tube
ø16 - ø54 mm



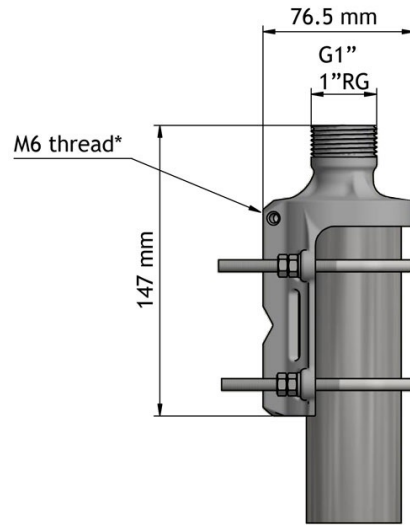
Mast tube
ø16 - ø54 mm



Bolts for wall
mounting not
included



MOUNTING DETAILS



* Only available on the LW-SS-1"-Ex

ATEX GROUNDING KIT



LW-SS-1" WITH GP ADAPTOR

