

# RM750Ex ATEX RSM PMMN4164\_ Quick Start Guide



MN011193A01-AA



MOTOROLA, MOTO, MOTOROLA SOLUTIONS and the Stylized M logo are trademarks or registered trademarks of Motorola Trademark Holdings, LLC and are used under license. All other trademarks are the property of their respective owners.

© 2025 Motorola Solutions, Inc. All rights reserved.

The complete Online User Guide (MN011312A01) is available at:  
<https://learning.motorolasolutions.com>

### European Union Contact:

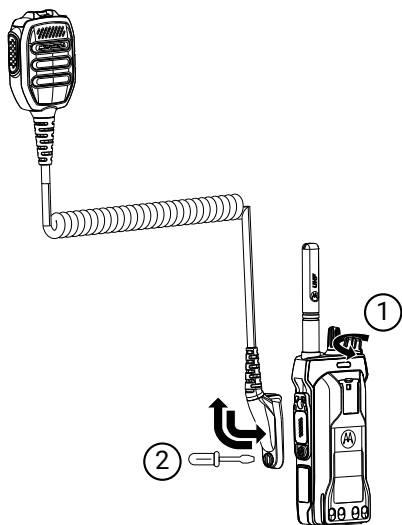
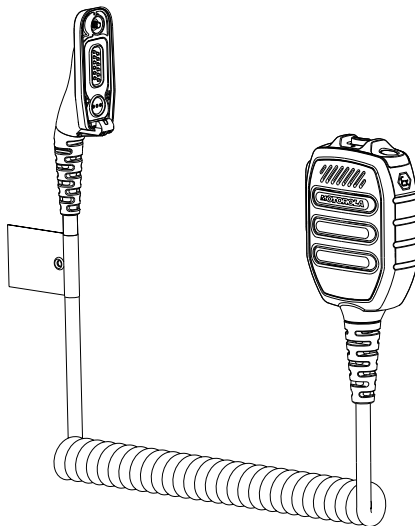
Motorola Solutions, Czerwone Maki 82,  
30-392 Krakow, Poland



### UK Contact:

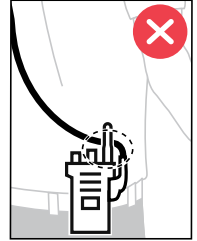
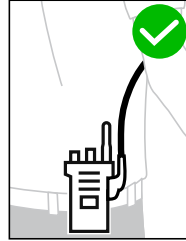
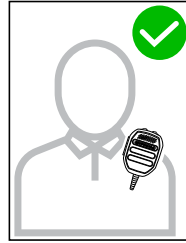
Motorola Solutions UK Ltd., Nova South,  
160 Victoria Street,  
London, SW1E 5LB, United Kingdom

Printed in





NOTES



NOTES